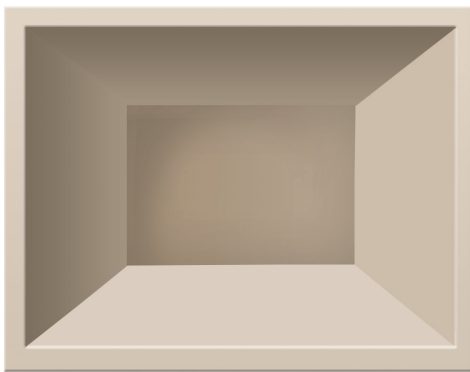
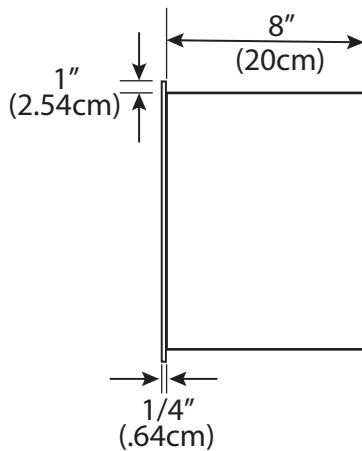
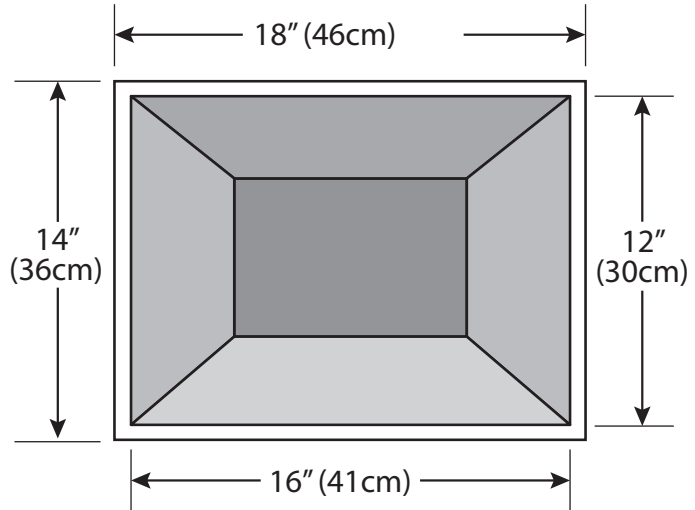
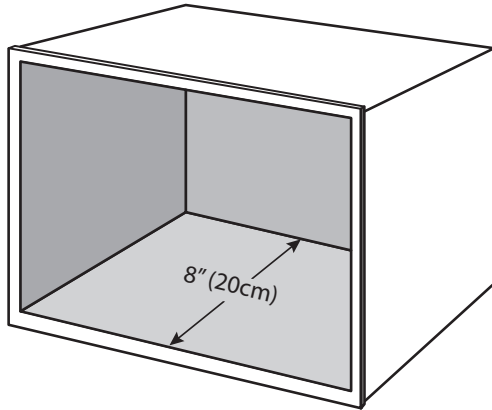


12" x 16" Tub Nook

Estimated Weight: TBD

Accessories
Technical Specifications



Standard Features:

- Solid surface one-piece construction
- Matte Finish

Dimensions:

- Exterior Height: 14" (36cm)
- Exterior Width: 18" (46cm)
- Interior Height: 12" (30cm)
- Interior Width: 16" (41cm)
- Interior Depth: 8" (20cm)

* Color Charts and additional patterns available upon request.

Our products comply with one or more of the following: IAPMO, ANSI, HUD, NAHB, NHQ

All products made of cultured marble, also known as MasterCast Engineered Composites, Cast Stone, Stone Resin, Resine de Pierre or Marbre de Synthèse (French), Mineral Guss (German), Polybeton (Dutch)

Typical CSI Codes: 06 10 00 (06100), 06 20 00 (06200),
12 30 33 (06400) 12 36 61.13 (06610),
22 42 23 (Div 15), 22 00 00 (Div 15)

Revised: 2015.5.26
© 2015 Copyright IMI International Marble Industries, Inc.