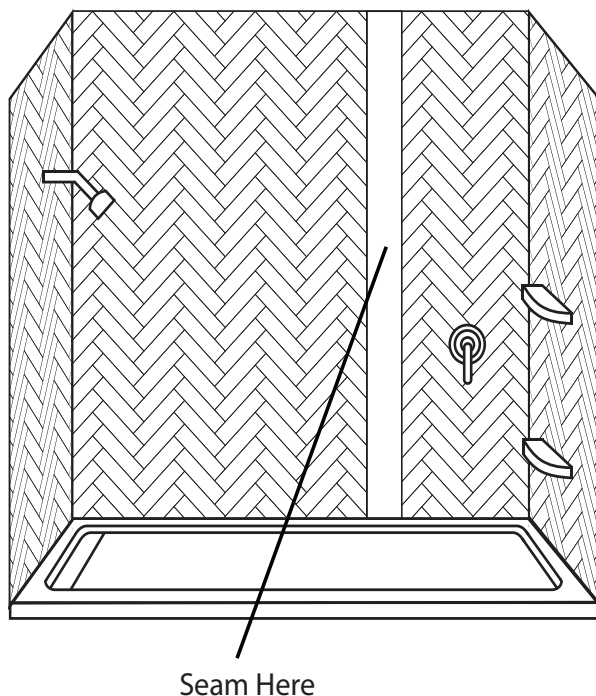


WS-ST-SU-HBL3x12

inches

3" X 12" HERRINGBONE TILE PATTERN WALL SURROUND
FOR STANDARD SHOWERS
CAST MARBLE



KIT INCLUDES

- 2 side panels
- 2 back panels

Material to be stacked on pallets.

COLOR & TRIM OPTIONS

Standard Color	Code
Warm White	WW

Optional Color	Code
Cream	SC
Ivory	SI
Solid White	SW

Additional custom colors available.

FEATURES

- Individual 'tile' size: 3" x 12"
- Up to 96" max height
- Back walls: 44" and 28" max width (28" back panel includes 6" listello.)
- Side walls: Up to 36" max width
- Nominal thickness: $\frac{5}{16}$ (+/- $\frac{1}{16}$ variance)
- $\frac{1}{4}$ " simulated sanded grout lines
- Solid warm white gloss finish
- Minimum order quantities apply
- 10-year limited warranty

OPTIONAL ACCESSORIES

- 2" x up to 120" x $\frac{3}{4}$ " trim strips
- Soap dishes
- Shampoo shelves
- Foot rests
- Additional accessories available upon request (minimum quantities apply).

STANDARDS AND RATINGS

- Typical CSI Code: 06 61 13 (Div 06)
- ANSI
- ASTM (Fire Rated)
- MAS Certified Green

Code compliant when fully equipped and installed according to guidelines.

*See terms and conditions for details.



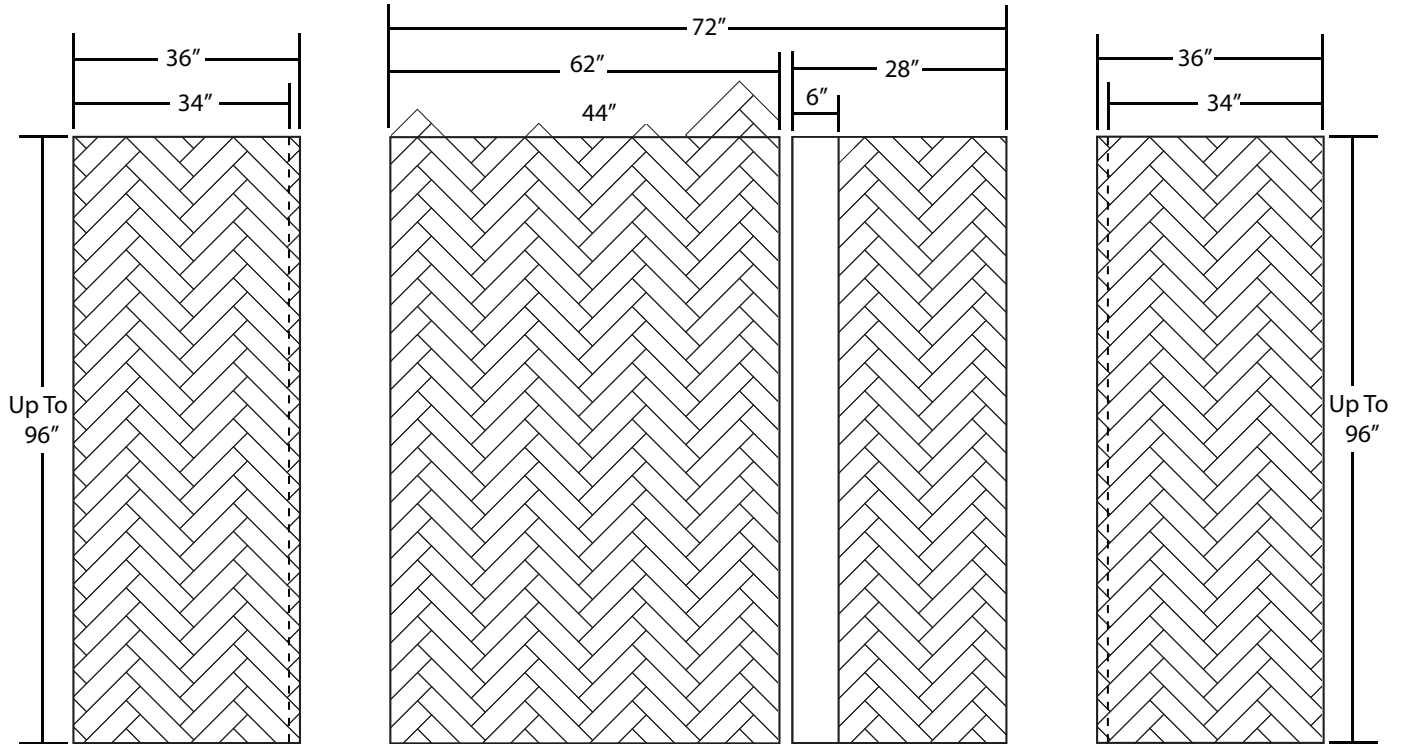
Cast Marble Solutions



imitoday.com

WS-ST-SU-HBL3x12

3" X 12" HERRINGBONE TILE PATTERN WALL SURROUND
FOR ROLL-IN SHOWER
CAST MARBLE



FEATURES Dimensional Tolerance $\pm \frac{1}{8}$ ". Dimensions needed for site preparation should be measured from the unit. American Bath Group assumes no responsibility for preparatory work.

Type and Model #	Material	Wall Finish	Pieces
Wall Surround #WS-ST-SU-HBL3x12	Cast Marble	3" x 12" Herringbone Tile Pattern	3

DIMENSIONS

Specifications	inches
Width:	Up to 62
Depth:	Up to 36
Height:	Up to 96
Tile Pattern	3" x 12" Herringbone

Rev. 10.12.20