



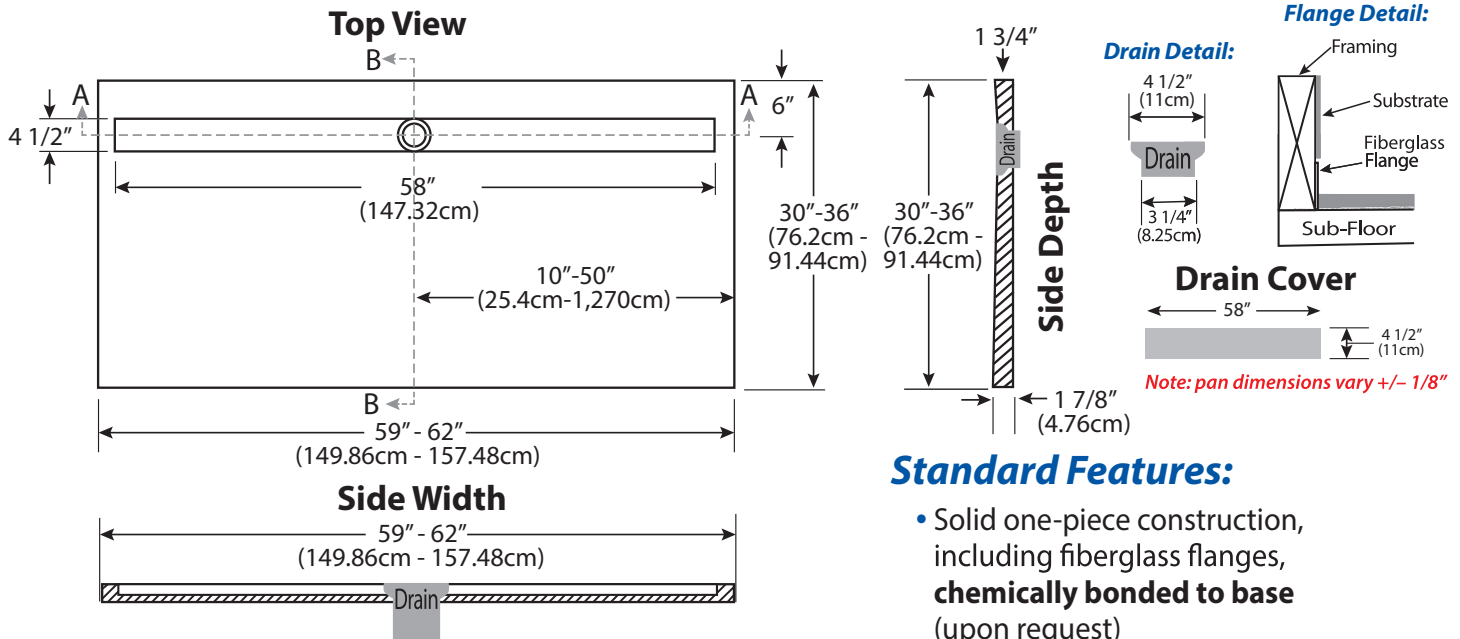
Cast Marble Solutions for Your Showers



62" x 36" ADA Roll-In w/6" Trench Drain

Est. Weight: 115 lbs (52.2kg) IMI LiteCast™

SB62x36-RI-TD-LC
TECHNICAL SPECIFICATIONS



Standard Features:

- Solid one-piece construction, including fiberglass flanges, **chemically bonded to base** (upon request)
- Pre-sloped to the drain
- Rests on sub-floor
- Mold, mildew and bacteria resistant
- "Grout-free" and non-porous
- Stain resistant and easy to clean
- Abrasion resistant gel coat surface
- Waterproof and leak-proof

Specifications:

- Size: 59"-62" x 30"-36" Size
- Drain Location: 6" from Back Wall
10"-50" from side wall
- Flange: Fiberglass
- Trench: 4 1/2" width

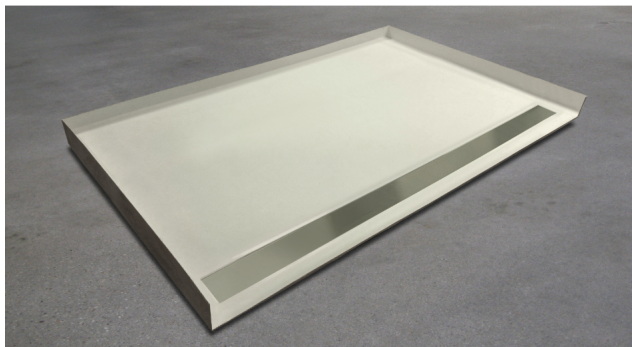
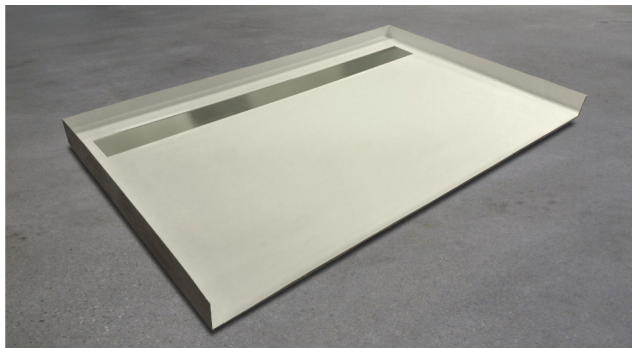
Suggested Drains:

- Solvent Weld type fitting similar to Oatey Part No. 42097
- Compression type "No-Caulk" fitting similar to Oatey Part No. 42099

Typical CSI Codes: 06 10 00 (06100), 06 20 00 (06200),
12 30 33 (06400) 12 36 61.13 (06610),
22 42 23 (Div 15), 22 00 00 (Div 15)
16 61 13 (Div 16)

Revised: 2017.09.06

© 2014 Copyright IMI International Marble Industries, Inc.



Our products comply with one or more of the following: IAPMO, ANSI, HUD, NAHB, NHQ

All products made of cultured marble, also known as MasterCast Engineered Composites, Cast Stone, Stone Resin, Resine de Pierre or Marbre de Synthese (French), Mineral Guss (German), Polybeton (Dutch)

