

SB48x36-10RCOD-xH-LC

inches

48 X 36 SHOWER BASE WITH REAR CORNER OFFSET DRAIN

IMI LITECAST™

Exterior Dimensions: 48W x 36D

Note: Base dimensions may vary +/- 1/8"

* Also available in IMI ProCast™



FEATURES

- Rear corner drain: left-hand or right-hand version
- 3 1/4" tall integral front curb
- 3" wide thresholds on front
- Solid one-piece construction
- Pre-leveled, rests on subfloor
- Mold and mildew resistant
- Bacteria resistant
- "Grout-free" and non-porous
- Stain resistant and easy to clean
- Waterproof and leakproof

STANDARDS AND RATINGS

- ANSI Z124.1.2
- 2005 Tested by NAHB
- ASTM 1028-96
Coefficient of friction test
(minimum rating of .67)
- Typical CSI Code: 22 42 23 (Div 22)
- ANSI
- ASTM (Fire Rating)
- MAS Certified Green

Code compliant when fully equipped and installed according to guidelines.

Material to be stacked on pallets.

COLOR & TRIM OPTIONS

Standard Color	Code
----------------	------

White	SW
-------	----

Optional Color	Code
----------------	------

Cream	SC
Ivory	SI
Warm White	WW

Additional custom colors available.

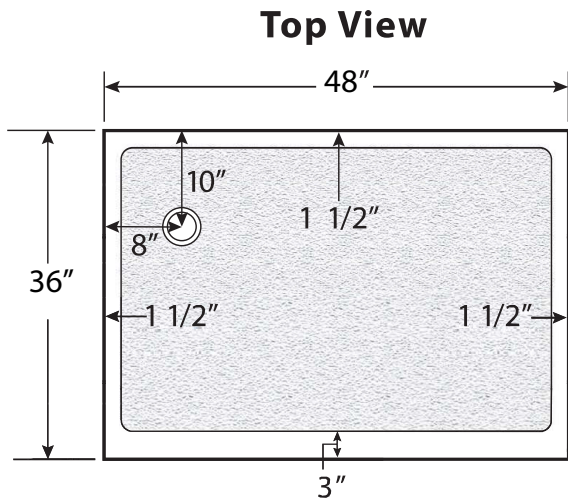


Cast Marble Solutions

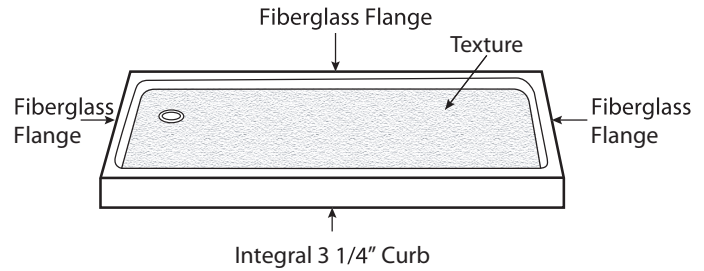


SB48x36-10RCOD-xH-LC

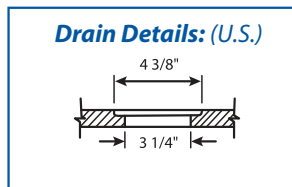
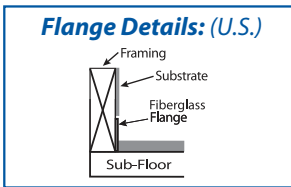
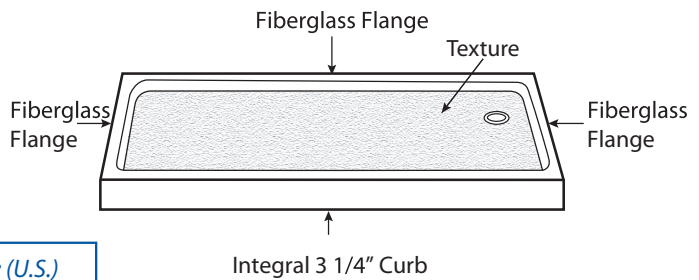
48 X 36 SHOWER BASE WITH REAR CORNER OFFSET DRAIN
IMI LITECAST™



Front View (LH Placement)



Front View (RH Placement)



FEATURES Dimensional Tolerance $\pm 1/4"$. Dimensions needed for site preparation should be measured from the unit. American Bath Group assumes no responsibility for preparatory work.

Type and Model #	Material	Shower Base	Pieces
Shower Base #SB48x36-10RCOD-xH-LC	Cast Marble	Anti-Slip/Textured Finish	1

DIMENSIONS

Specifications	inches
Shower Base Depth:	36
Shower Base Width:	48
Curb Height:	3 1/4

Suggested Drains:



Solvent Weld type fitting similar to Oatey Part No. 42097



Compression type "No-Caulk" fitting similar to Oatey Part No. 42099

Rev. 03.05.21