

# SB54x32-SSB-LC

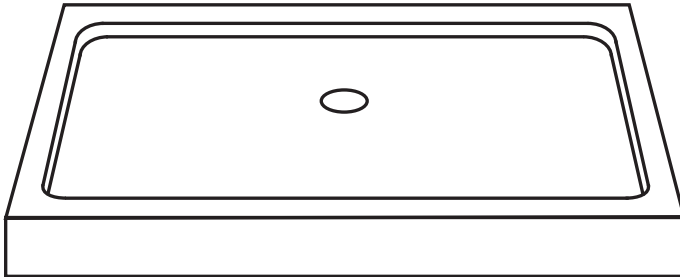
inches

## 54 X 32 SHOWER BASE WITH CENTER DRAIN IMI LITECAST™

Exterior Dimensions: 54W x 32D

Note: Base dimensions may vary +/- 1/8"

\* Also available in IMI ProCast™



Material to be stacked on pallets.

### COLOR & TRIM OPTIONS

| Standard Color | Code |
|----------------|------|
| White          | SW   |

| Optional Color | Code |
|----------------|------|
| Cream          | SC   |
| Ivory          | SI   |
| Warm White     | WW   |

Additional custom colors available.



Cast Marble Solutions

## FEATURES

- Size: 54" x 32"
- Center Drain
- Drain Opening: 3.25" hole width
- Curb: Integral - 3" x 4" high
- Flange: Attached at factory
- Solid one-piece construction
- Pre-leveled, rests on subfloor
- Mold and mildew resistant
- Bacteria resistant
- "Grout-free" and non-porous
- Stain resistant and easy to clean
- Water proof and leak proof

## STANDARDS AND RATINGS

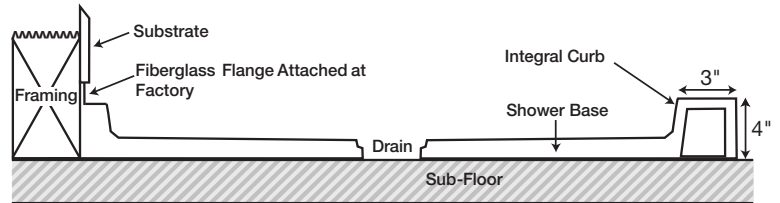
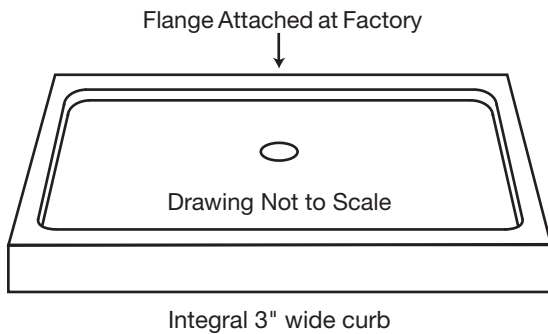
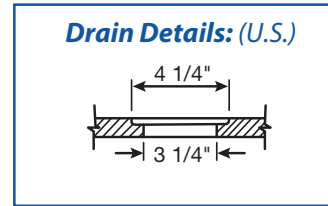
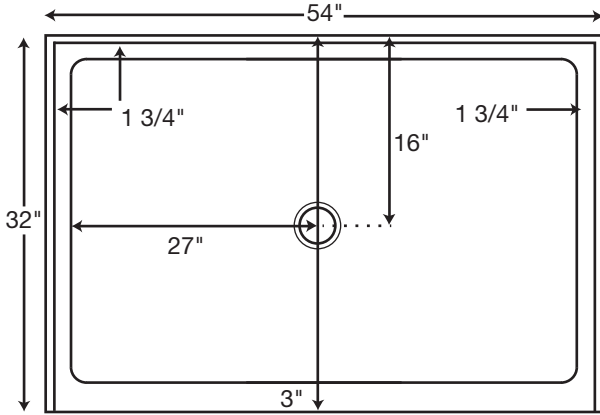
- ANSI Z124.1.2  
- 2005 Tested by NAHB
- ASTM 1028-96  
Coefficient of friction test  
(minimum rating of .67)
- Typical CSI Code: 22 42 23 (Div 22)
- ANSI
- ASTM (Fire Rating)
- MAS Certified Green

Code compliant when fully equipped and installed according to guidelines.



# SB54x32-SSB-LC

54 X 32 SHOWER BASE WITH CENTER DRAIN  
IMI LITECAST™



Drain not included. Finished product dimensions may vary +/- 1/8" from drawing.

**FEATURES** Dimensional Tolerance  $\pm 1/8"$ . Dimensions needed for site preparation should be measured from the unit. American Bath Group assumes no responsibility for preparatory work.

| Type and Model #            | Material    | Shower Base               | Pieces |
|-----------------------------|-------------|---------------------------|--------|
| Shower Base #SB54x32-SSB-LC | Cast Marble | Anti-Slip/Textured Finish | 1      |

**DIMENSIONS**

| Specifications     | inches |
|--------------------|--------|
| Shower Base Depth: | 32     |
| Shower Base Width: | 54     |
| Curb Height:       | 4      |

**Suggested Drains:**



Solvent Weld type fitting similar to Oatey Part No. 42097



Compression type "No-Caulk" fitting similar to Oatey Part No. 42099